


 Applies To: **See VEHICLES AFFECTED**
August 20, 2012

Warranty Extension: OPDS Unit or OPDS Sensor Triggers SRS DTC(s) 15-1, 15-2, 15-3

(Supersedes 06-009, dated February 5, 2008, to update the information marked by the black bar)

REVISION SUMMARY

Under INSPECTION PROCEDURE, the text for checking the SRS DTCs has been modified.

BACKGROUND

NOTE: Because of a class action settlement, the warranty extension coverage for the OPDS unit and the OPDS sensor on 2002 Accords, 2002–04 Civics, 2003–04 Civic Hybrids, 2002–04 CR-Vs, 2003 Elements, 2002 Odysseys, and 2003–04 Pilots purchased or leased between April 13, 2002, and November 7, 2006, is now 10 years or **157,500 miles**, whichever occurs first. For more information, refer to Service Bulletin 06-085, *Warranty Extension: Vehicle Warranty Mileage*.

Several vehicle models may have a problem with the OPDS (occupant position detection system) that causes the SRS indicator to stay on. Typically, one or more of these DTCs will be set:

- SRS DTC 15-1 (faulty OPDS unit or OPDS not initialized)
- SRS DTC 15-2 (faulty side airbag indicator circuit)
- SRS DTC 15-3 (faulty OPDS sensor)

To ensure continued reliability with the OPDS, American Honda is extending the warranty on the OPDS unit and the OPDS sensor to 10 years or 150,000 miles, whichever occurs first.

This warranty extension does not apply to any vehicle that has ever been declared a total loss, or any that has been issued a salvage, branded, or similar title under any state's law. **To check for vehicle eligibility, you must do a VIN status inquiry.**

VEHICLES AFFECTED

2000–01 Accord 2-Dr and 4-Dr: ALL with OPDS

2002 Accord 2-Dr and 4-Dr (U.S.-Produced): ALL with OPDS

2002 Accord 2-Dr and 4-Dr (Japan-Produced) with OPDS:

From VIN JHMCG5...2C000001 thru
JHMCG5...2C035622

From VIN JHMCG6...2C000001 thru
JHMCG6...2C030241

2001–03 Civic 2-Dr: ALL with OPDS

2004 Civic 2-Dr:

From VIN 1HGEM2...4L000018 thru
1HGEM2...4L036724

2002–03 Civic 3-Dr (U.K.-Produced): ALL with OPDS

2004 Civic 3-Dr (U.K.-Produced) with OPDS:

From VIN SHHEP3...4U500010 thru
SHHEP3...4U504050

2001–03 Civic 4-Dr: ALL with OPDS

2004 Civic 4-Dr (U.S.-Produced) with OPDS:

From VIN 1HGES...4L000001 thru
1HGES...4L013180

2004 Civic 4-Dr (Canada-Produced) with OPDS:

From VIN 2HGES...4H500001 thru
2HGES...4H539339

2003 Civic Hybrid: ALL with OPDS

2004 Civic Hybrid with OPDS:

From VIN JHMES9...4S000003 thru
JHMES9...4S008085

2002–03 CR-V: ALL with OPDS

2004 CR-V (Japan-Produced) with OPDS:

From VIN JHLRD6...4C000039 thru
JHLRD6...4C003410

From VIN JHLRD7...4C000001 thru
JHLRD7...4C007840

2004 CR-V (U.K.-Produced) with OPDS:

From VIN SHSRD6...4U200162 thru
SHSRD6...4U203936

From VIN SHSRD7...4U200007 thru
SHSRD7...4U227655

2003 Element: ALL with OPDS

2002 Odyssey: ALL with OPDS

2003 Pilot: ALL with OPDS

2004 Pilot (Canada-Produced) with OPDS:

From VIN 2HKYF1...4H500001 thru
2HKYF1...4H549091

CUSTOMER NOTIFICATION

All owners of affected vehicles were mailed a notification of this warranty extension. An example of the customer notification is at the end of this service bulletin.

CORRECTIVE ACTION

Repair the vehicle as indicated by the **INSPECTION PROCEDURE**. If needed, replace the OPDS unit. In rare cases where an updated OPDS unit was already installed, replace the OPDS sensor.

PARTS INFORMATION

OPDS Unit

2000–02 Accord 2-Dr:
P/N 81334-S80-A63

2000 Accord 4-Dr:
P/N 81334-S87-A73

2001–02 Accord 4-Dr (fabric seat):
P/N 81334-S84-A23

2001–02 Accord 4-Dr (leather seat):
P/N 81334-S87-A83

2001–02 Civic 2-Dr:
P/N 81334-S5P-306

2003–04 Civic 2-Dr:
P/N 81334-S5P-A04

2002 Civic 3-Dr:
P/N 81334-S5T-A03

2001–02 Civic 4-Dr:
P/N 81334-S5H-J12

2003–04 Civic 4-Dr:
P/N 81334-S5A-J04

2003 Civic Hybrid:
P/N 81334-S5B-J12

2004 Civic Hybrid:
P/N 81334-S5B-J04

2002–04 CR-V:
P/N 81334-S9A-J43

2003 Element:
P/N 81334-SCV-A72

2002 Odyssey:
P/N 81334-S0X-A03

2003–04 Pilot:
P/N 81334-S9V-A03

OPDS Sensor

Refer to the parts catalog for the applicable part number if needed.

Seat-Back Panel Clips

Accord and Pilot: P/N 91566-SP0-003 (2 required)

TOOL INFORMATION

HDS with software version 2.002.006 or later,
or

SCS Service Connector: T/N 07PAZ-001010A

WARRANTY CLAIM INFORMATION

OP#	Description	FRT
723507	SRS DTCs - Retrieve and clear	0.3
751109	Replace OPDS unit	0.3
751109	Odyssey: Replace OPDS unit	0.4
751110	Front Seat-Back Pad - Replace, includes OPDS sensor	1.1

Failed Part: OPDS Unit:
P/N 81334-S0K-A61

Defect Code: 5SA00

Symptom Code: Q0800

Skill Level: Repair Technician

INSPECTION PROCEDURE

NOTE: When you check for SRS DTCs with the HDS, the inspection is covered for any SRS DTC retrieved as long as the vehicle is eligible for the warranty extension. Only repairs to codes 15-1, 15-2, and 15-3 are covered.

Any other SRS codes and their repairs are not covered by this bulletin. If the vehicle is covered by warranty, repair it using the normal warranty repair procedures. If the vehicle's warranty is expired, give your customer an estimate for the cost of the repair.

Do the appropriate inspection based on the DTC.

SRS DTC 15-1

Clear the DTC with the HDS.

- If DTC 15-1 does not set again, go to **REPAIR PROCEDURE A: OPDS UNIT REPLACEMENT**.
- If DTC 15-1 sets again, continue with normal troubleshooting.
- If the OPDS unit causes DTC 15-1 to set repeatedly, yet passes the other troubleshooting steps, go to **REPAIR PROCEDURE A: OPDS UNIT REPLACEMENT**.

SRS DTC 15-2

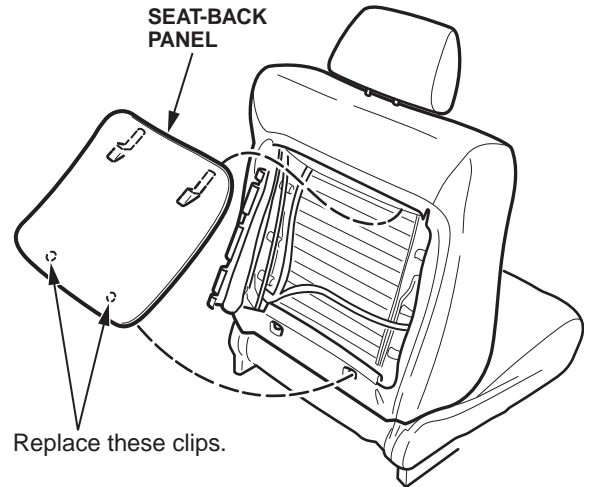
1. Inspect the connections and the wiring in the side airbag cutoff indicator circuit.
 - If all the connections and the wiring are OK, go to step 2.
 - If any of the connections or the wiring are faulty, repair the circuit, then go to step 2.
2. Clear the DTC with the HDS.
 - If DTC 15-2 does not set again, go to **REPAIR PROCEDURE A: OPDS UNIT REPLACEMENT.**
 - If DTC 15-2 sets again, continue with normal troubleshooting.
 - If the OPDS unit causes DTC 15-2 to set repeatedly, yet passes the other troubleshooting steps, go to **REPAIR PROCEDURE A: OPDS UNIT REPLACEMENT.**

SRS DTC 15-3

1. Clear the DTC with the HDS.
 - If DTC 15-3 does **not** set again, go to step 2.
 - If DTC 15-3 sets again, continue with normal troubleshooting.
2. Ask your customer if electrical devices such as a laptop computer or a fluorescent map light are ever used near the front passenger's seat-back. (Some electrical devices that plug into the vehicle's accessory power socket, especially those using a power inverter/converter, can interfere with the seat-back sensors and cause SRS DTC 15-3 to set.)
 - If your customer uses any of these devices, operate the device near the front passenger's seat-back. If DTC 15-3 sets again, clear it, then return the vehicle to the customer. Advise the customer to avoid using the device near the front passenger's seat-back.
 - If your customer does not use any of these devices and DTC 15-3 does not set again, go to **REPAIR PROCEDURE A: OPDS UNIT REPLACEMENT.**

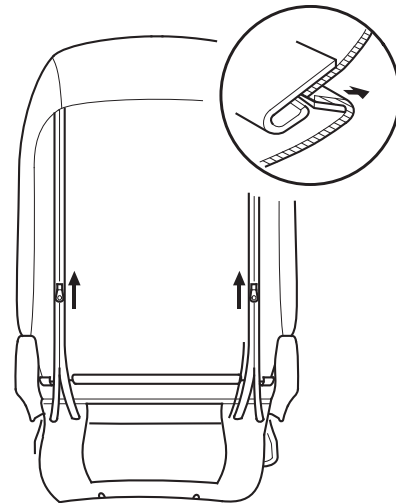
REPAIR PROCEDURE A: OPDS UNIT REPLACEMENT

1. On Accords and Pilots, remove the front passenger's seat-back panel by prying out the bottom. Replace the two lower clips.



(Accord is shown.)

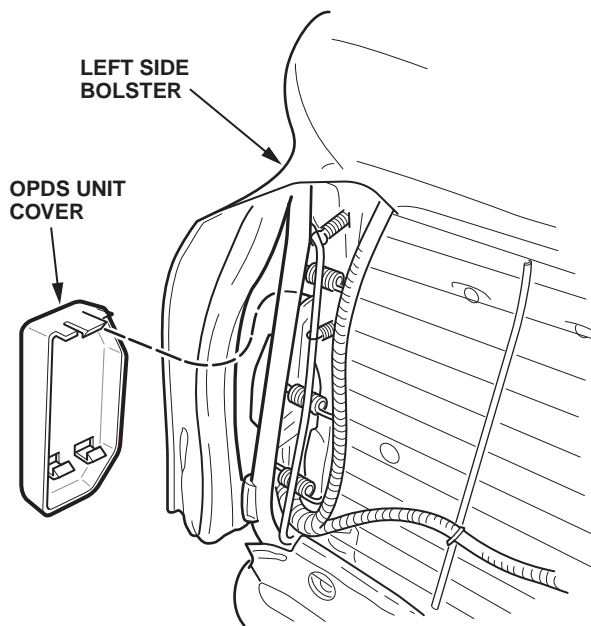
2. On all models except Accords and Pilots, unzip the two seat cover zippers on the back of the front passenger's seat.



(Civic is shown.)

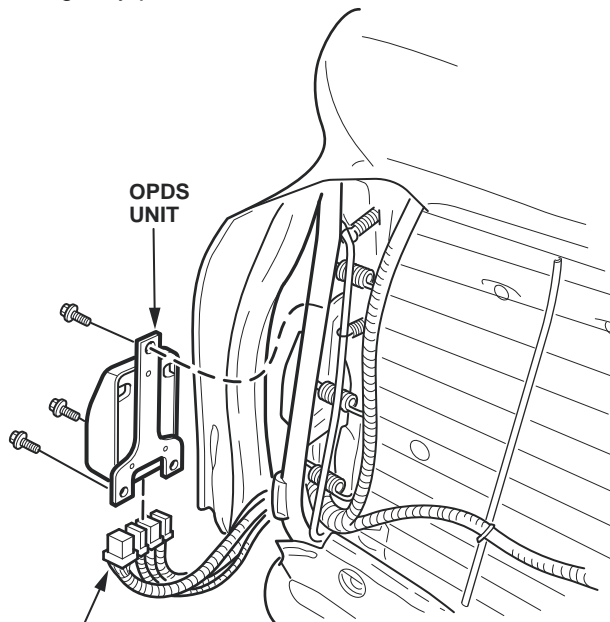
3. Pull back the seat-back cover from the left side bolster to access the OPDS unit cover.

- Remove the OPDS unit cover from the seat frame.



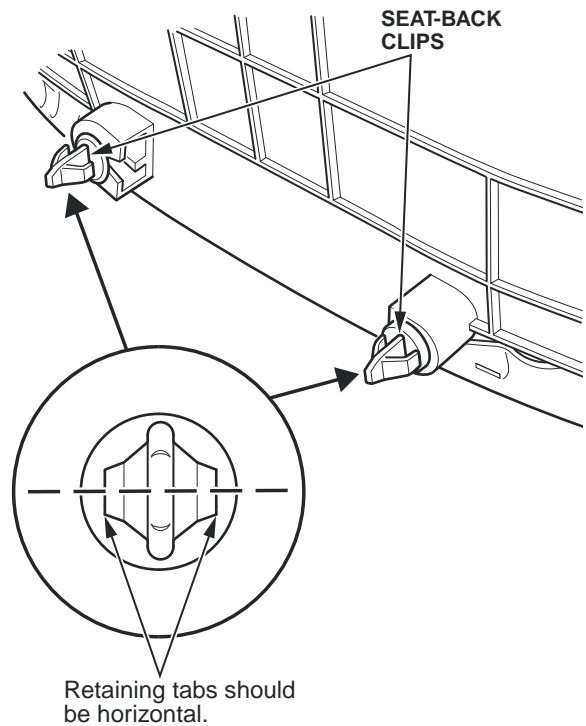
(Accord is shown.)

- Check the part number of the installed OPDS unit.
 - If the OPDS unit has an original part number, go to step 6.
 - If the OPDS unit has a new part number (refer to **PARTS INFORMATION**) or higher, go to **REPAIR PROCEDURE B: OPDS SENSOR REPLACEMENT**.
- Recline the seat-back to access the OPDS unit mounting screws.
- Remove the mounting screws from the OPDS unit, and gently pull out the unit.



(Accord is shown.)

- Disconnect the OPDS connectors, then remove the OPDS unit.
- Install a new OPDS unit, then snap on its cover.
- Slip the seat-back cover over the OPDS unit.
- On Accords, check the seat-back clip attachment bosses on the seat-back panel:
 - If the attachment bosses are OK, go to step 12.
 - If the seat-back has a pocket, and the attachment bosses are deformed or damaged, do the repair procedure in S/B 02-010, *Seat-Back Panel Is Loose or Detached*. Then go to step 12.
 - If the seat-back does not have a pocket, and the attachment bosses are deformed or damaged, replace the seat-back. Then go to step 12.
- On Accords and Pilots, install the new seat-back clips on the seat-back panel. Turn the clips so their retaining tabs are horizontal.



- On Accords and Pilots, install the seat-back panel.
- On all models except Accords and Pilots, zip the seat-back cover closed.
- Initialize the OPDS unit.
 - To initialize with the HDS, go to **Initializing the OPDS Unit: HDS Method**.
 - To initialize with the SCS service connector, go to **Initializing the OPDS Unit: Manual Mode**.

Initializing the OPDS Unit: HDS Method

NOTE: Non-Honda seat covers will interfere with the performance of the OPDS and are not recommended.

1. Adjust the front passenger's seat-back to an upright position, then remove anything on or near the seat.
2. Turn the ignition switch to LOCK (0).
3. Connect the HDS to the vehicle's DLC (data link connector).
4. Turn the ignition switch to ON (II), then turn on the HDS.
5. At the screen prompts, enter the VIN and the odometer reading. Also verify the correct date and time.
6. From the System Selection menu, select **SRS**.
7. From the Mode menu, select **Miscellaneous Test**.
8. From the Miscellaneous Test menu, select **OPDS Initialization**.
9. Follow the remaining screen prompts to complete the OPDS initialization. If the initialization fails, repeat the process two more times. If the initialization fails again, check for SRS DTCs, then troubleshoot them using the appropriate service manual.

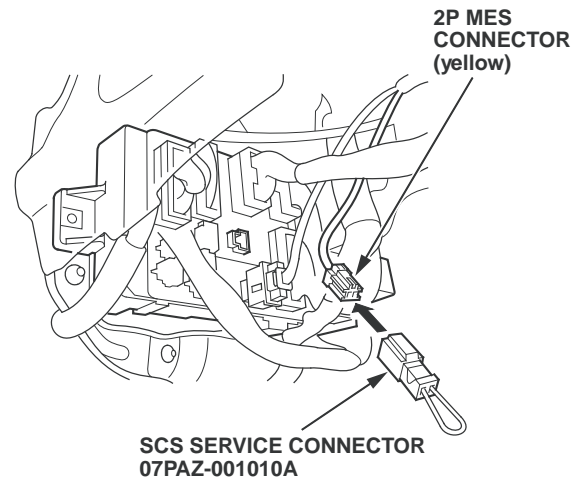
Initializing the OPDS Unit: Manual Mode

NOTE: Non-Honda seat covers will interfere with the performance of the OPDS and are not recommended.

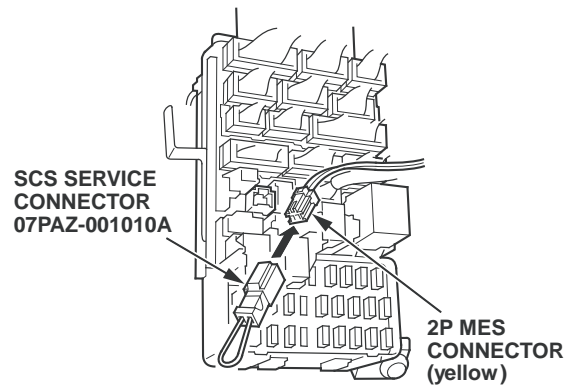
1. Adjust the front passenger's seat-back to an upright position, then remove anything on or near the seat.
2. Turn the ignition switch to LOCK (0).
3. Connect the HDS to the vehicle's DLC (data link connector).
4. Keep the ignition switch at LOCK (0), and turn on the HDS.
5. At the screen prompts, enter the VIN and the odometer reading.
6. From the Select Mode screen, select **SCS**, and follow the screen prompts.

7. Connect the SCS service connector to the 2P MES (memory erase signal) connector, as shown. *Do not use a jumper wire.*

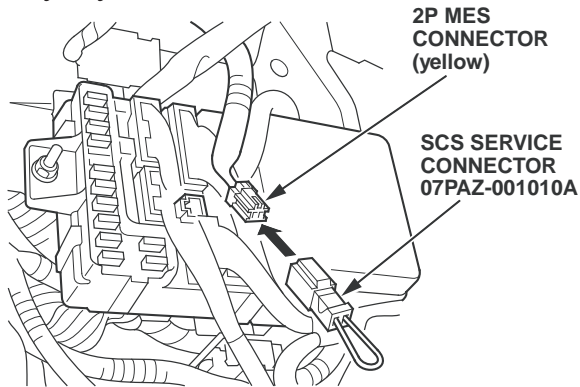
Accord



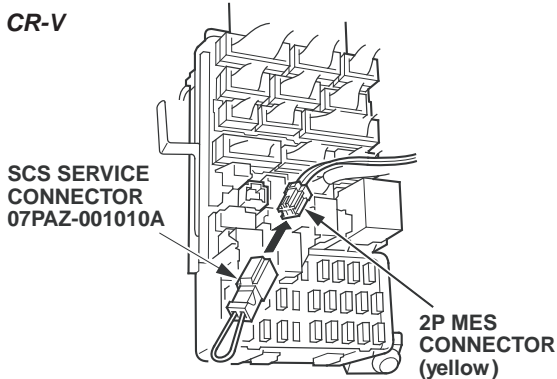
Civic



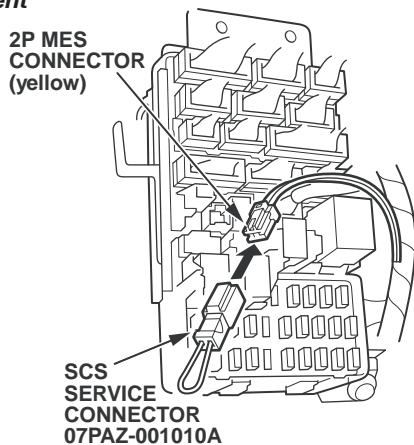
Odyssey



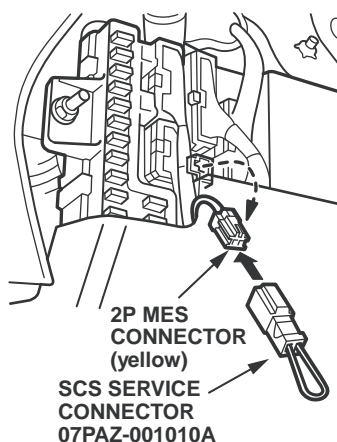
CR-V



Element



Pilot



8. Turn the ignition switch to ON (II).
9. Watch the SRS indicator. (It comes on for about 6 seconds and then goes off.) Disconnect the SCS service connector from the MES connector within 4 seconds after the indicator goes off.
10. When the SRS indicator comes on again, connect the SCS service connector to the MES connector within 4 seconds after the indicator comes on.
11. When the SRS indicator goes off, disconnect the SCS service connector from the MES connector within 4 seconds.
12. Watch the SRS indicator:
 - If the indicator blinks twice and then goes off, the OPDS unit is initialized. Turn the ignition switch to LOCK (0), and disconnect the HDS.
 - If the indicator blinks twice and then stays on, the OPDS unit is initialized, but SRS DTCs need to be cleared. Go to step 13.
 - If the indicator stays on without first blinking, the OPDS unit is **not** initialized. Repeat steps 3 thru 12.
13. Turn the ignition switch to LOCK (0), then disconnect the HDS.
14. Reconnect the SCS service connector to the MES connector. *Do not use a jumper wire.*
15. Turn the ignition switch to ON (II).
16. Watch the SRS indicator. (It comes on for about 6 seconds and then goes off.) Disconnect the SCS service connector from the MES connector within 4 seconds after the indicator goes off.
17. When the SRS indicator comes on again, connect the SCS service connector to the MES connector within 4 seconds after the indicator comes on.
18. When the SRS indicator goes off, disconnect the SCS service connector from the MES connector within 4 seconds. (The SRS indicator blinks twice to indicate that the memory has been cleared.)
19. Turn the ignition switch to LOCK (0), and wait for 10 seconds.
20. Turn the ignition switch to ON (II). (The SRS is OK if the SRS indicator comes on for 6 seconds and then goes off.) If the DTC clearing fails, repeat the process two more times. If the DTC clearing fails again, check for set SRS DTCs, and troubleshoot them with the appropriate service manual.

REPAIR PROCEDURE B: OPDS SENSOR REPLACEMENT

1. Remove the seat-back cover from the front passenger's seat:
 - Using the appropriate service manual, go to section 20 (Body), and do the removal steps under **Front Seat Cover Replacement**, or
 - Online, enter keyword **SEAT COVER**, then select **Front Seat Cover Replacement** from the list, and do the removal steps in the procedure.
2. Slide the seat-back cushion (foam) off the seat-back frame. (The OPDS sensor is built into the seat-back cushion.)
3. Slide a new seat-back cushion over the seat-back frame. Make sure the cushion is centered.
4. Install the seat-back cover:
 - Using the appropriate service manual, go to section 20 (Body), and do the installation step under **Front Seat Cover Replacement**, or
 - Online, enter keyword **SEAT COVER**, then select **Front Seat Cover Replacement** from the list, and do the installation step in the procedure.
5. Initialize the OPDS unit:
 - To initialize with the HDS, go to **Initializing the OPDS Unit: HDS Method** in this service bulletin.
 - To initialize with the SCS service connector, go to **Initializing the OPDS Unit: Manual Mode** in this service bulletin.

Example of Customer Letter

Spring 2006

Warranty Extension: Main Components of the Occupant Position Detection System

Dear Honda Owner:

As part of our commitment to vehicle safety, your Honda has several features that help protect you and your passengers. One of these features is the occupant position detection system (OPDS). Although we do not encourage young children to ride in the front seat, the OPDS reduces their risk of injury from an inflating side airbag by turning off the airbag if they are out of position and leaning toward the door.

Warranty Extension Details

To ensure the OPDS remains in top condition, we are extending the warranty on the main components of the system, the OPDS control unit and the OPDS sensor, to 10 years or 150,000 miles, whichever occurs first.

If the red supplemental restraint system (SRS) indicator on the instrument panel stays on, take your vehicle to any Honda dealer for an inspection. If there is a problem with the OPDS control unit or the OPDS sensor, and your vehicle is within the extended warranty time/mileage period, the dealer will replace the control unit or the sensor *free of charge*. The inspection is also free of charge, even if there is not a problem with the OPDS control unit or the OPDS sensor and your vehicle is within the extended warranty time/mileage period. Other components of the OPDS and the SRS are covered by your vehicle's normal warranty.

This warranty extension does not apply to any vehicle that has ever been declared a total loss, or any that has been issued a salvage, branded, or similar title under any state's law.

Please keep a copy of this letter in your glove box, along with your vehicle's warranty information booklet.

What to do if you feel this notice is in error

Our records show that you are the current owner or lessee of a Honda receiving this warranty extension. If this is not the case, or the name/address information is incorrect, please fill out and return the enclosed, postage-paid *Information Change Card*. We will then update our records.

If you paid to have a defective OPDS control unit or OPDS sensor replaced sometime in the past, you may be eligible for reimbursement. Refer to the attached *Instructions for Reimbursement* for eligibility requirements and the reimbursement procedure.

If you have questions

If you have questions about this notice, or need assistance with contacting a Honda dealer, please call Automobile Customer Service at (800) 999-1009.

Sincerely,

American Honda Motor Co., Inc.
Honda Automobile Division