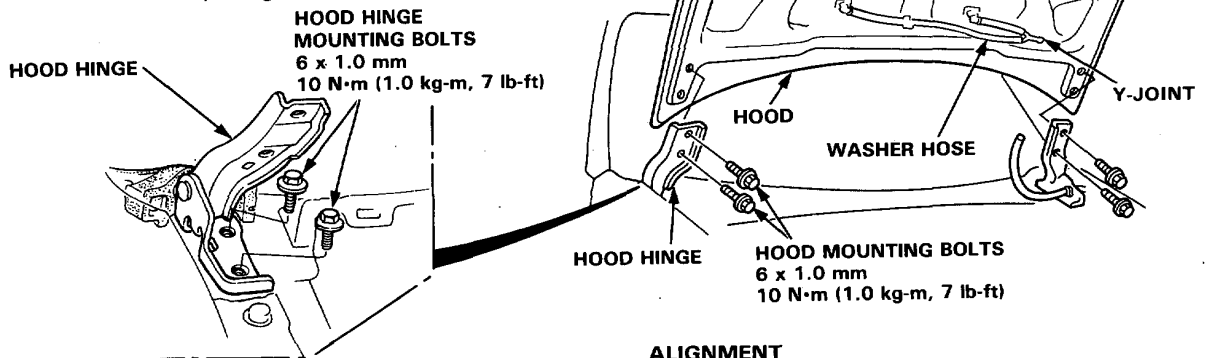




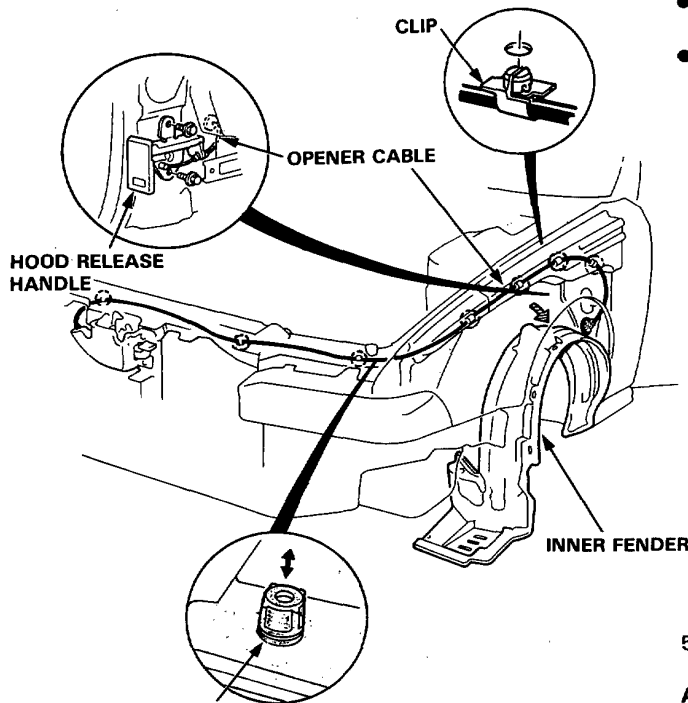
Hood

Replacement/Adjustment

1. Disconnect the windshield washer hose at the Y-joint, then pull it out of the hood.
2. Remove the hood by removing the 2 hood mounting bolts on each side.
3. To remove the hood hinges, remove the front windshield wipers and air scoop.
4. Install the new hood. After installing, adjust the hood fit to the opening.



NOTE: Before pulling out the opener cable, tie a string to the cable so you can pull it back in later.

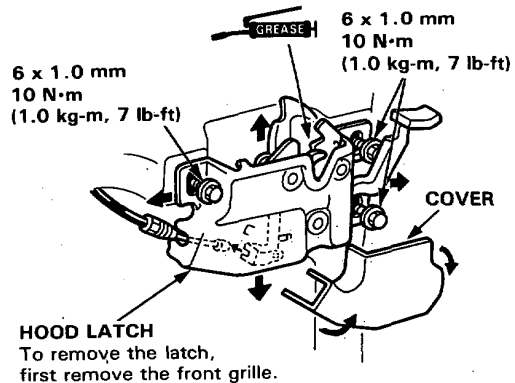


HOOD EDGE CUSHION

Turn as necessary, to make the hood fit flush with the body at front and side edges.

ALIGNMENT

- The hinges can be adjusted right and left as well as fore and aft by using the elongated holes.
- The hinges should be shimmed to adjust the height of the hood at the rear edge.
- Adjust the hood latch to obtain the proper height at the forward edge.



5. After installing, adjust the hood fit to the opening.

ALIGNMENT:

- Move the latch up or down or right or left as necessary to equalize the gap between the hood and the body.