

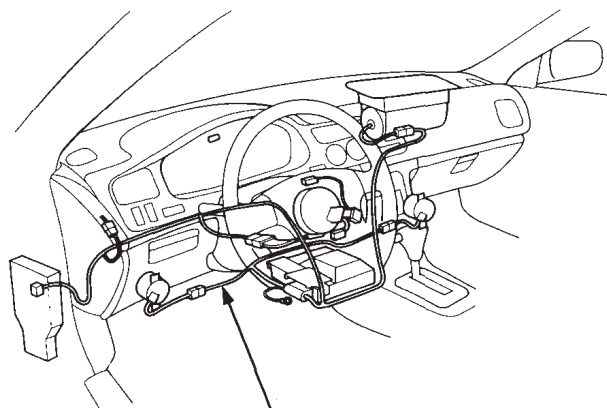


## Combination Light Switch Replacement

### CAUTION:

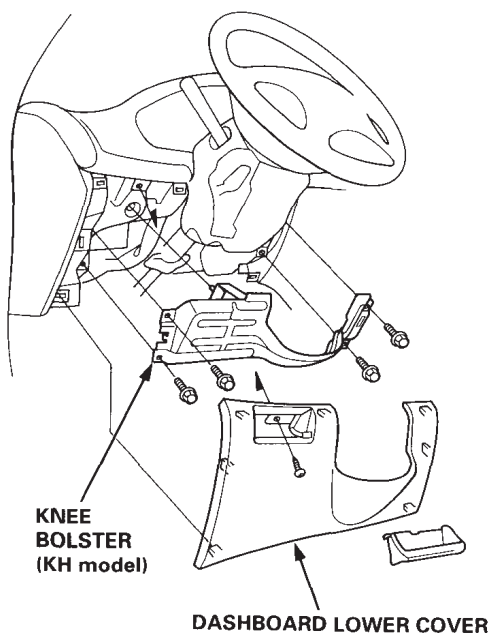
- All SRS electrical wiring harnesses are covered with yellow insulation.
- Before disconnecting any part of the SRS wire harness, connect the short connectors.
- Replace the entire affected SRS harness assembly if it has an open circuit or damaged wiring.

NOTE: The illustration shows LHD type. RHD type is symmetrical to LHD type.



**SRS MAIN HARNESS**  
(Covered with yellow insulation)

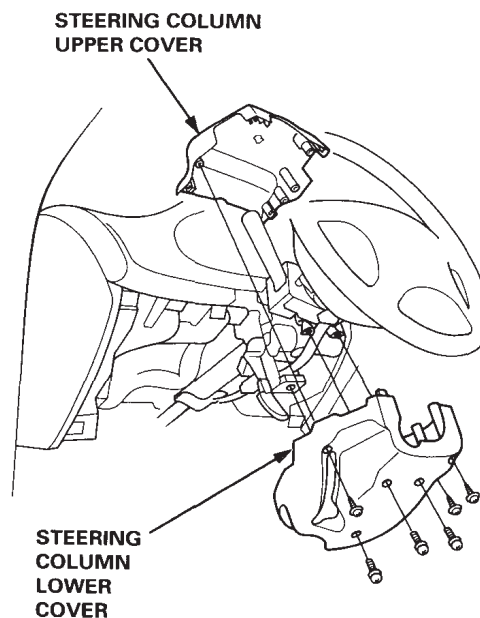
1. Remove the dashboard lower cover and knee bolster (KH).



**KNEE BOLSTER**  
(KH model)

**DASHBOARD LOWER COVER**

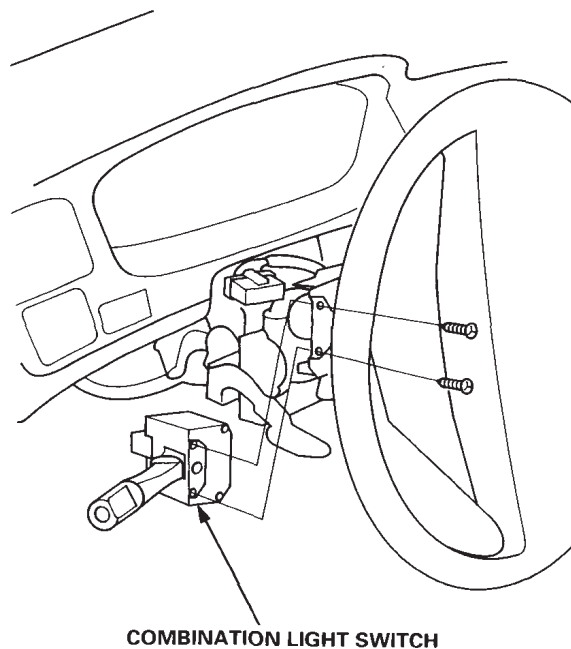
2. Remove the steering column covers.



**STEERING COLUMN UPPER COVER**

**STEERING COLUMN LOWER COVER**

3. Disconnect the connector from the combination light switch, then remove the two screws and the switch.



**COMBINATION LIGHT SWITCH**