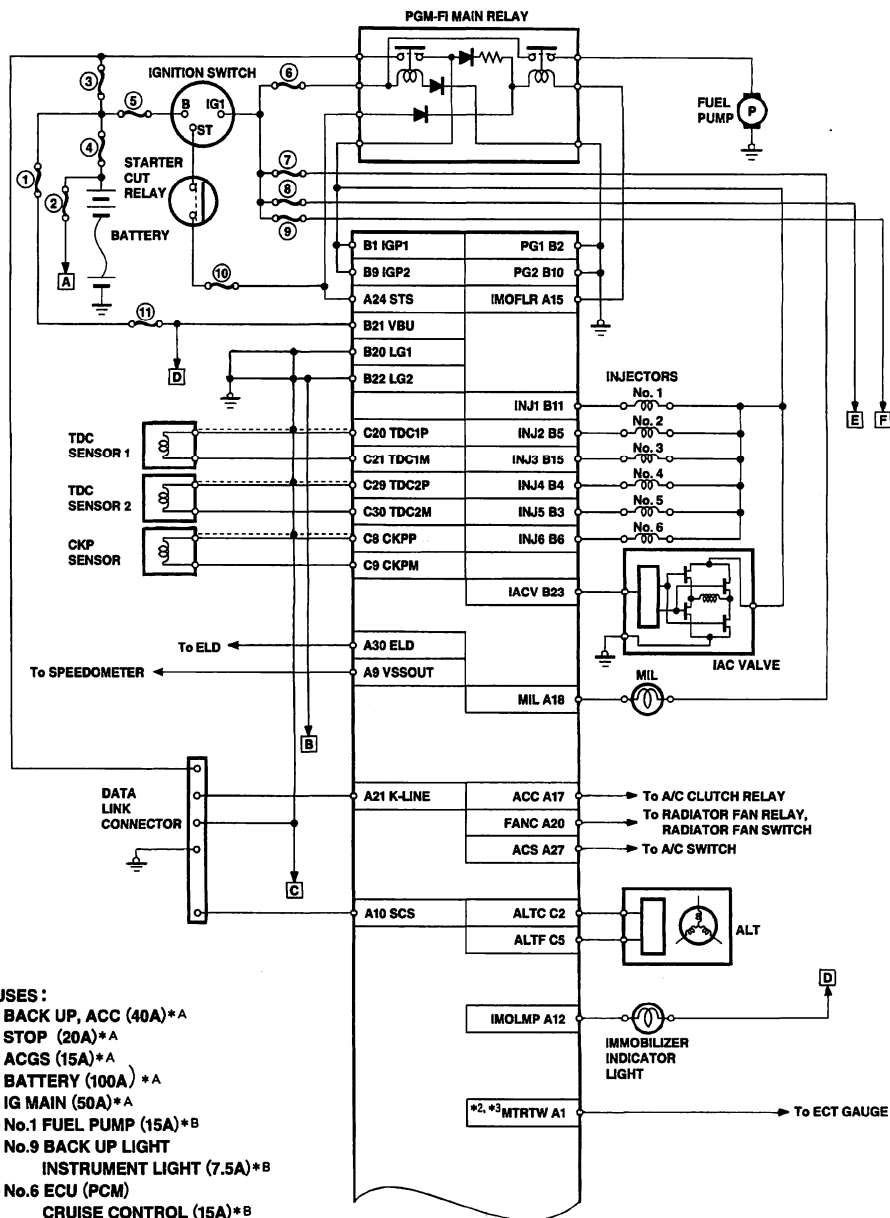


Fuel and Emissions Systems

System Descriptions (cont'd)

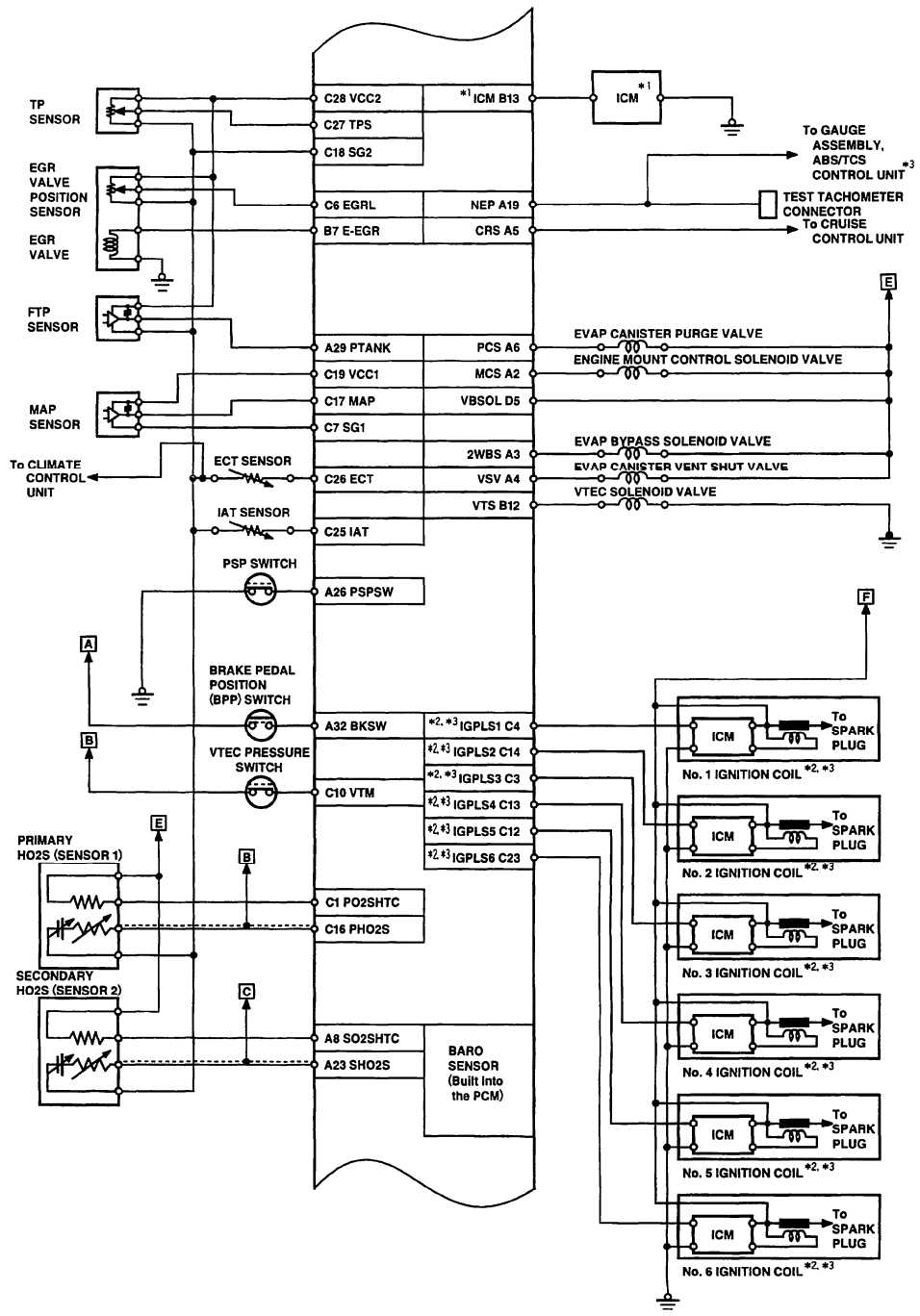
PCM Electrical Connections (cont'd)



FUSES :

- ① BACK UP, ACC (40A)*A
 - ② STOP (20A)*A
 - ③ ACGS (15A)*A
 - ④ BATTERY (100A)*A
 - ⑤ IG MAIN (50A)*A
 - ⑥ No.1 FUEL PUMP (15A)*B
 - ⑦ No.9 BACK UP LIGHT INSTRUMENT LIGHT (7.5A)*B
 - ⑧ No.6 ECU (PCM) CRUISE CONTROL (15A)*B
 - ⑨ No.11 IG COIL (15A)*B
 - ⑩ No.13 STARTER SIGNAL (7.5A)*B
 - ⑪ No.13 CLOCK BACKUP (7.5A)*C
- *A: in the under-hood fuse/relay box
 *B: in the driver's under-dash fuse/relay box
 *C: in the passenger's under-dash fuse/relay box

- *1: '98-99 models
- *2: '00 model
- *3: '01-02 models



(cont'd)

Fuel and Emissions Systems

System Descriptions (cont'd)

PCM Electrical Connections (cont'd)

