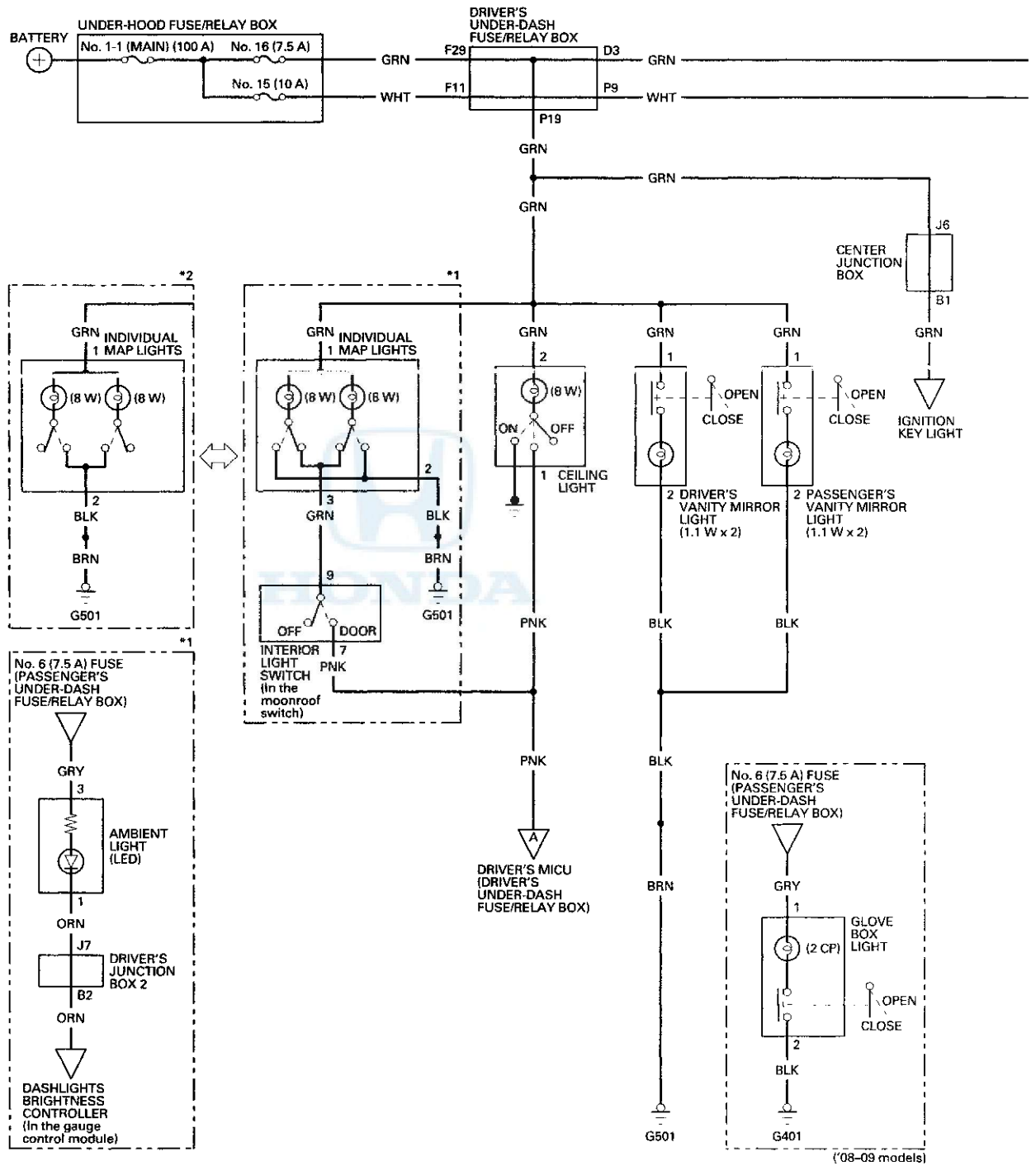


# Interior Lights

## Circuit Diagram





- \*1: With moonroof
- \*2: Without moonroof
- \*3: LX, LX PZEV, LX-P, and LX-P PZEV
- \*4: Except LX, LX PZEV, LX-P, and LX-P PZEV
- - - - - : B-CAN line

