


 Applies To: **See VEHICLES AFFECTED**
June 30, 2007

Center Pocket Lid Does Not Open or Close Properly

SYMPTOM

The center pocket lid rubs, does not open, or opens but does not stay closed.

PROBABLE CAUSE

The center pocket is misaligned or incorrectly assembled.

VEHICLES AFFECTED

2005–06 Accord L4 and V6: ALL

2007 Accord L4 2-Door:

From VIN 1HGCM7...7A000001
thru 1HGCM7...7A019218

2007 Accord V6 2-Door:

From VIN 1HGCM8...7A000001
thru 1HGCM8...7A006839

2007 Accord L4 4-Door:

From VIN 1HGCM5...7A000001
thru 1HGCM5...7A189807

2007 Accord V6 4-Door:

From VIN 1HGCM6...7A000001
thru 1HGCM6...7A090647

CORRECTIVE ACTION

Depending on the specific problem, realign the center pocket, tighten the center pocket lid screws or, if needed, replace the center pocket assembly.

PARTS INFORMATION

Center Pocket Assembly, NH484L (silver):
P/N 77280-SDA-A34ZA, H/C 7381916

Center Pocket Assembly, YR252L (wood brown):
P/N 77280-SDA-A34ZB, H/C 7381924

Center Pocket Assembly, YR339L (wood grain):
P/N 77280-SDA-A34ZC, H/C 8037970

Center Pocket Assembly, NH482L (black metallic):
P/N 77280-SDA-A14ZA, H/C 7381890

Center Pocket Assembly, NH167L (graphite black):
P/N 77280-SDA-A04ZA, H/C 7381874

Center Pocket Assembly, NH167L (graphite black):
P/N 77280-SDC-A05ZA, H/C 7497662

Center Pocket Assembly, NH482L (black metallic):
P/N 77280-SDC-A15ZA, H/C 7441793

Center Pocket Assembly, NH484L (silver):
P/N 77280-SDC-A35ZA, H/C 7441256

Center Pocket Assembly, YR252L (wood brown):
P/N 77280-SDC-A35ZB, H/C 7441827

Center Pocket Assembly, YR339L (wood grain):
P/N 77280-SDC-A35ZF, H/C 8150567

Center Pocket Assembly, NH633L (carbon):
P/N 77280-SDC-A35ZJ, H/C 8489304

Center Pocket Assembly, NH488L (technical metal):
P/N 77280-SDN-A74ZA, H/C 7381965

Center Pocket Assembly, NH633L (carbon):
P/N 77280-SDN-A74ZB, H/C 8037988

WARRANTY CLAIM INFORMATION

In warranty: The normal warranty applies.

OP#	Description	FRT
8410A6	Realign the center pocket.	0.3
8410A7	Tighten the center pocket screws and, if needed, replace the center pocket assembly.	0.2

Failed Part: P/N 77280-SDA-A34ZA
H/C 7381916

Defect Code: 08001

Symptom Code: 07902

Skill Level: Repair Technician

Out of warranty: Any repair performed after warranty expiration may be eligible for goodwill consideration by the District Parts and Service Manager or your Zone Office. You must request consideration, and get a decision, before starting work.

DIAGNOSIS

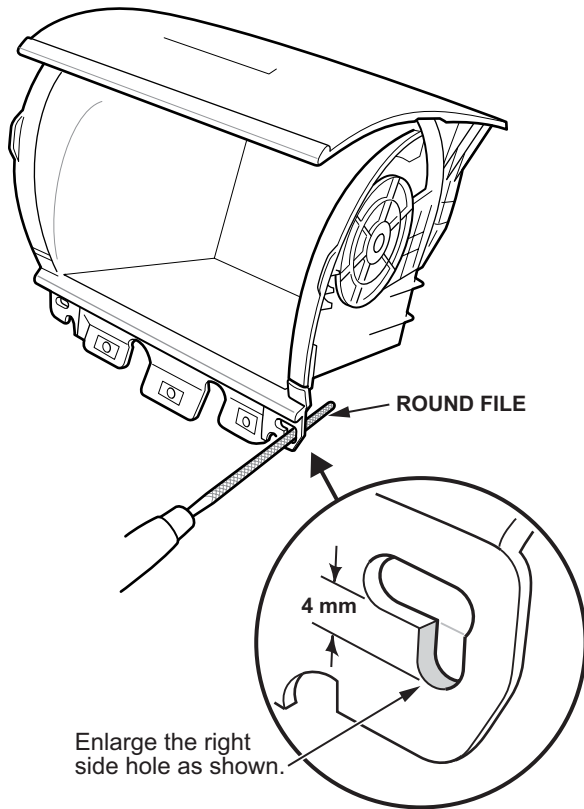
Try to open and close the center pocket lid.

- If the lid rubs against the dashboard, go to REPAIR PROCEDURE A: CENTER POCKET REALIGNMENT.
- If the lid does not open, or it opens but does not stay closed, go to REPAIR PROCEDURE B: CENTER POCKET SCREW TIGHTENING/CENTER POCKET REPLACEMENT.

REPAIR PROCEDURE A: CENTER POCKET REALIGNMENT

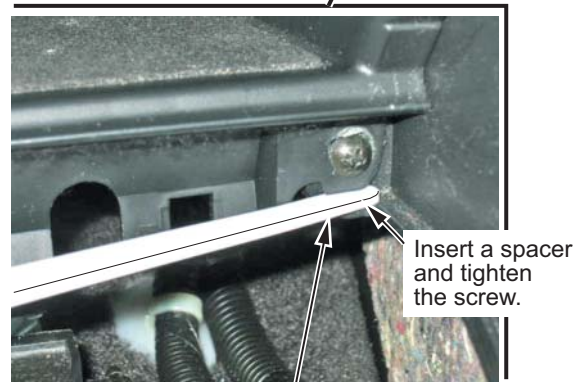
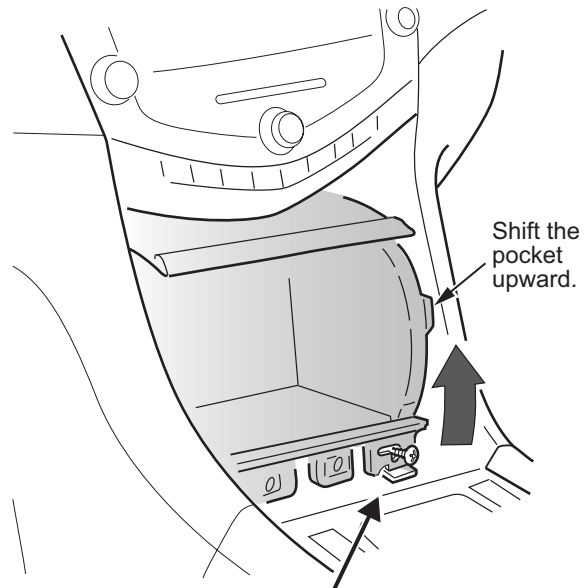
1. Remove the center pocket assembly:
 - Refer to page 20-132 of the *2003–2007 Accord Service Manual*, or
 - Online, enter keyword **POCKET**, and select **Dashboard Center Pocket Removal/Installation** from the list.
2. Using a round file, elongate the right mounting screw hole as shown.

NOTE: Do not use a file larger than 4.0 mm, and do not elongate the hole more than 4.0 mm.



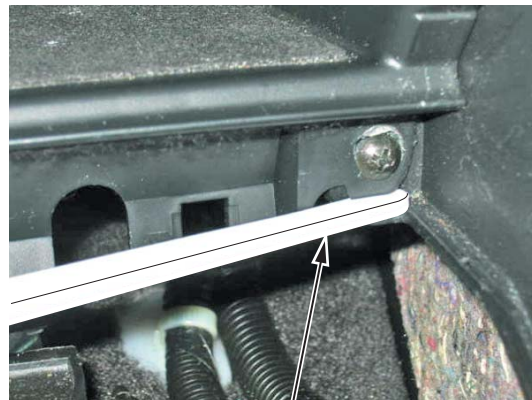
3. Reinstall the center pocket assembly, but don't tighten the mounting screws yet.

4. Realign the center pocket:
 - Shift the pocket upward.
 - Insert a 2.5–3.0 mm spacer between the pocket and the passenger's center lower cover.
 - Tighten the screws, and remove the spacer.



2.5–3.0 mm SPACER

5. Make sure the center pocket lid no longer rubs against the dashboard. If it does, repeat step 4 using a 3.5–4.0 mm spacer.



3.5–4.0 mm SPACER

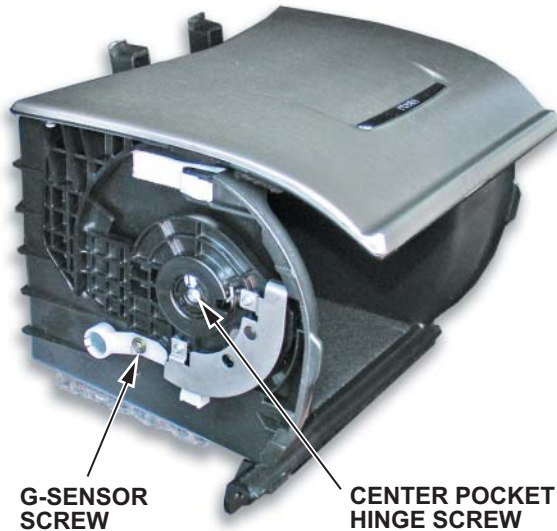
REPAIR PROCEDURE B: CENTER POCKET SCREW TIGHTENING/CENTER POCKET REPLACEMENT

1. Remove the center pocket assembly:
 - Refer to page 20-132 of the *2003–2007 Accord Service Manual*, or
 - Online, enter keyword **POCKET**, and select **Dashboard Center Pocket Removal/Installation** from the list.
2. Tighten the center pocket hinge screws and the G-sensor screw.

RIGHT SIDE OF THE CENTER POCKET



LEFT SIDE OF THE CENTER POCKET



3. Check the operation of the center pocket lid:
 - If the lid opens and closes normally, install the center pocket assembly in reverse order of removal, and return the vehicle to the customer.
 - If the lid does not open or close normally, go to step 4.
4. Install a new center pocket assembly, making sure it has the correctly colored lid:
 - Refer to page 20-132 of the service manual, or
 - Online, enter keyword **POCKET** and select **Dashboard Center Pocket Removal/Installation** from the list.