



## Rear Door Outer Handle Replacement

### 4-door

NOTE: Put on gloves to protect your hands.

1. Remove these items:

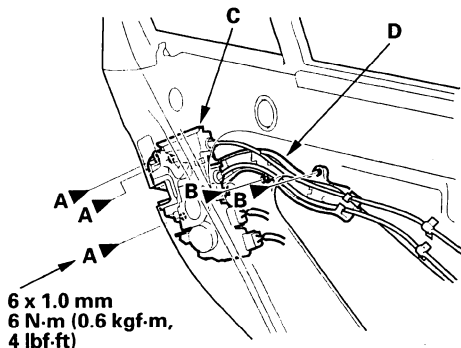
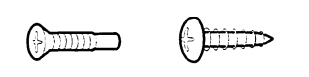
- Door panel (see page 20-25)
- Plastic cover, as necessary (see page 20-7)

2. Raise the glass fully.

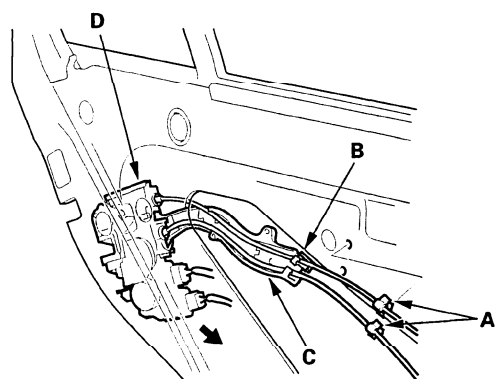
3. Remove the screws (A, B) securing the latch (C) and the cable protector (D).

Fastener Locations

A ▶ : Screw, 3 B ▶ : Screw, 2



4. Detach the cable clips (A) and the hook (B) of the cable protector (C), then pull the latch (D) and the cable protector forward. Take care not to bend any of the cables.

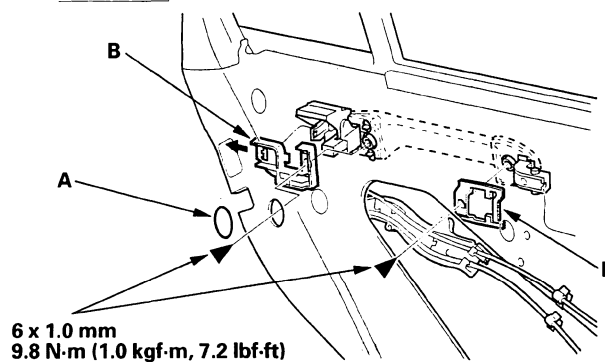


5. Remove the maintenance hole seal (A) and bolts, slide the protector (B) ('03 model) or the outer handle bracket (C) ('04-06 models) rearward, then remove it.

'03 model

Fastener Locations

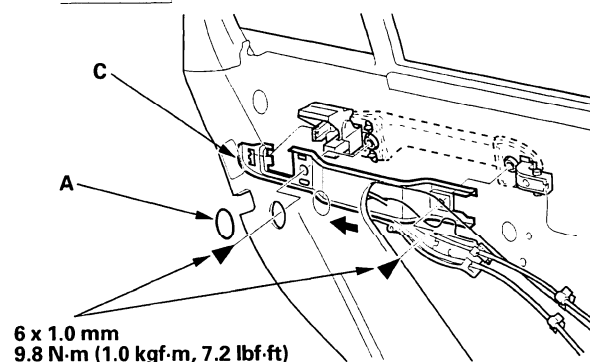
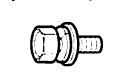
▶ : Bolt, 2



'04-06 models

Fastener Locations

▶ : Bolt, 2



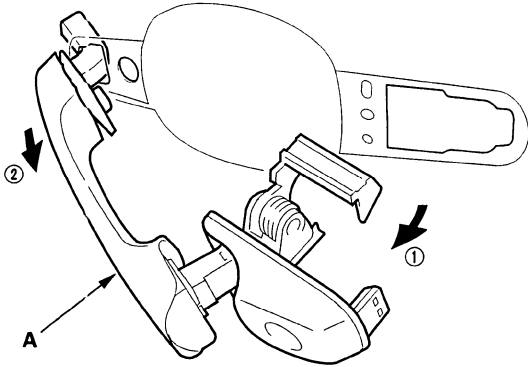
6. '03 model: Remove the spacer (D).

(cont'd)

# Doors

## Rear Door Outer Handle Replacement (cont'd)

7. While pulling the outer handle (A), remove the handle from the holes in the door panel. Take care not to scratch the door.



8. Install the handle in the reverse order of removal, and note these items:
  - Make sure the door locks and opens properly.
  - When reinstalling the door panel, make sure the plastic cover is installed properly and sealed around its outside perimeter to seal out water.

## Rear Door Latch Replacement

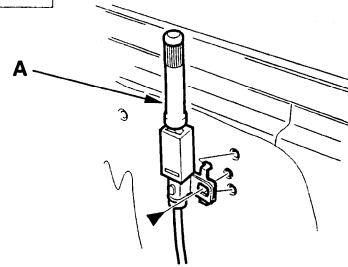
### 4-door

NOTE: Put on gloves to protect your hands.

1. Remove the door panel (see page 20-25).
2. Raise the glass fully.
3. Remove the screw securing the lock knob (A).

#### Fastener Location

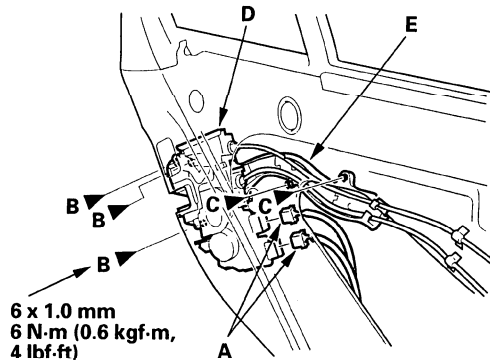
► : Screw, 1



4. Remove the plastic cover, as needed (see page 20-7).
5. Disconnect the actuator connector(s) (A) (for some models). Remove the screws (B, C) securing the latch (D) and the cable protector (E).

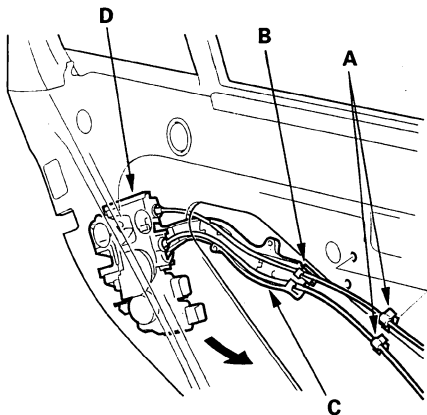
#### Fastener Locations

B ► : Screw, 3    C ► : Screw, 2

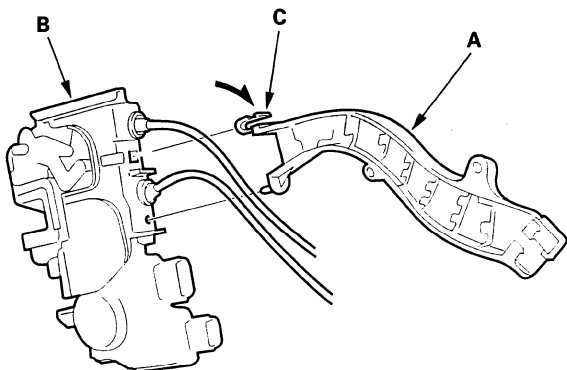




6. Detach the cable clips (A) and the hook (B) of the cable protector (C), then remove the latch (D) with the cable protector through the hole in the door. Take care not to bend any of the cables.



7. Remove the cable protector (A) from the latch protector (B) by releasing the hook (C).



8. Install the latch in the reverse order of removal, and note these items:

- If equipped, make sure the actuator connector(s) are plugged in properly.
- Make sure the door locks and the window operates properly.
- When reinstalling the door panel, make sure the plastic cover is installed properly and sealed around its outside perimeter to seal out water.