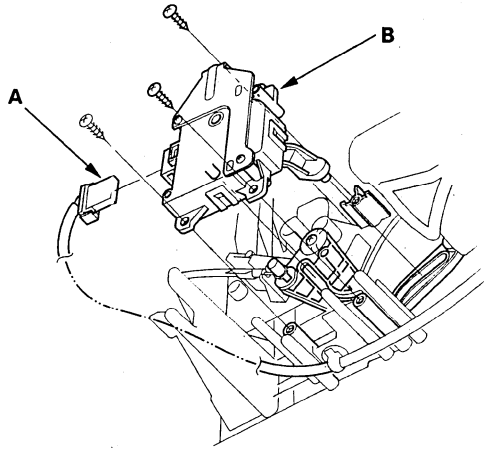


Heating/Air Conditioning

Air Mix Control Motor Replacement

4-door

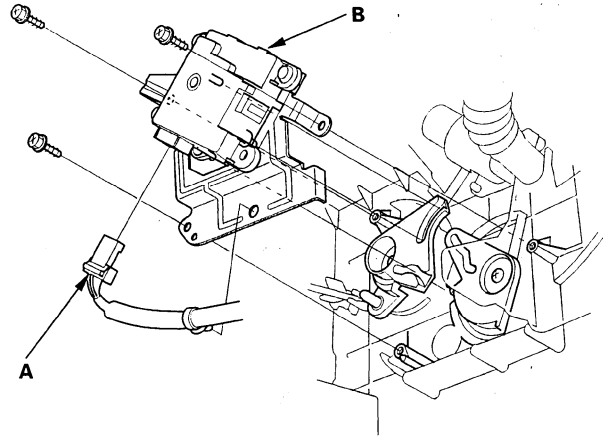
1. Disconnect the 7P connector (A) from the air mix control motor (B). Remove the self-tapping screws and the air mix control motor from the heater unit.



2. Install the motor in the reverse order of removal. Make sure the pin on the motor is properly engaged with the linkage. After installation, make sure the motor runs smoothly.

2-door

1. Disconnect the 5P connector (A) from the air mix control motor (B). Remove the self-tapping screws and the air mix control motor from the heater unit.



2. Install the motor in the reverse order of removal. Make sure the pin on the motor is properly engaged with the linkage. After installation, make sure the motor runs smoothly.