

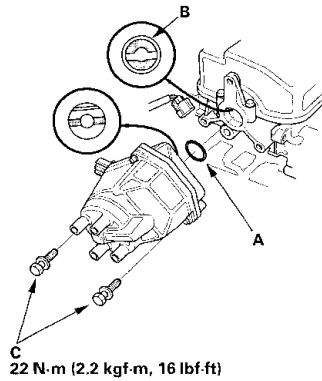
Ignition System

Distributor Replacement (cont'd)

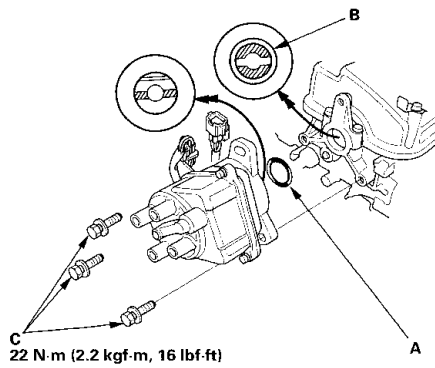
Installation

1. Bring the No.1 piston to compression stroke TDC.
2. Coat a new O-ring (A) with engine oil, then install it.

F23A1, F23A4 engines:



F23A5 engine:



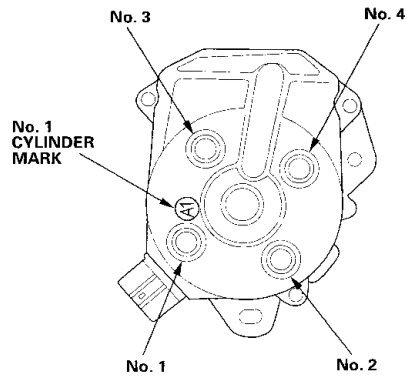
3. Slip the distributor into position.

NOTE: The lugs on the end of the distributor and their mating grooves in the camshaft end (B) are both offset to eliminate the possibility of installing the distributor 180° out of time.

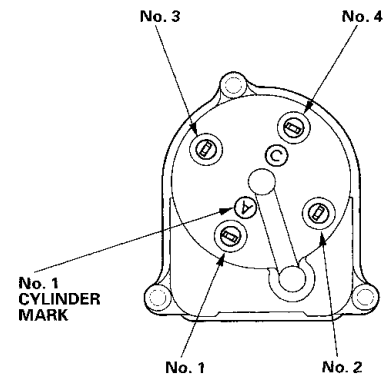
4. Install the mounting bolts (C), and tighten them lightly.

5. Connect the ignition wires to the distributor ignition (DI) cap as shown.

F23A1, F23A4 engines:



F23A5 engine:



6. Connect the connector to the distributor.
7. Set the ignition timing (see page 4-19).
8. After setting the ignition timing, tighten the mounting bolts.