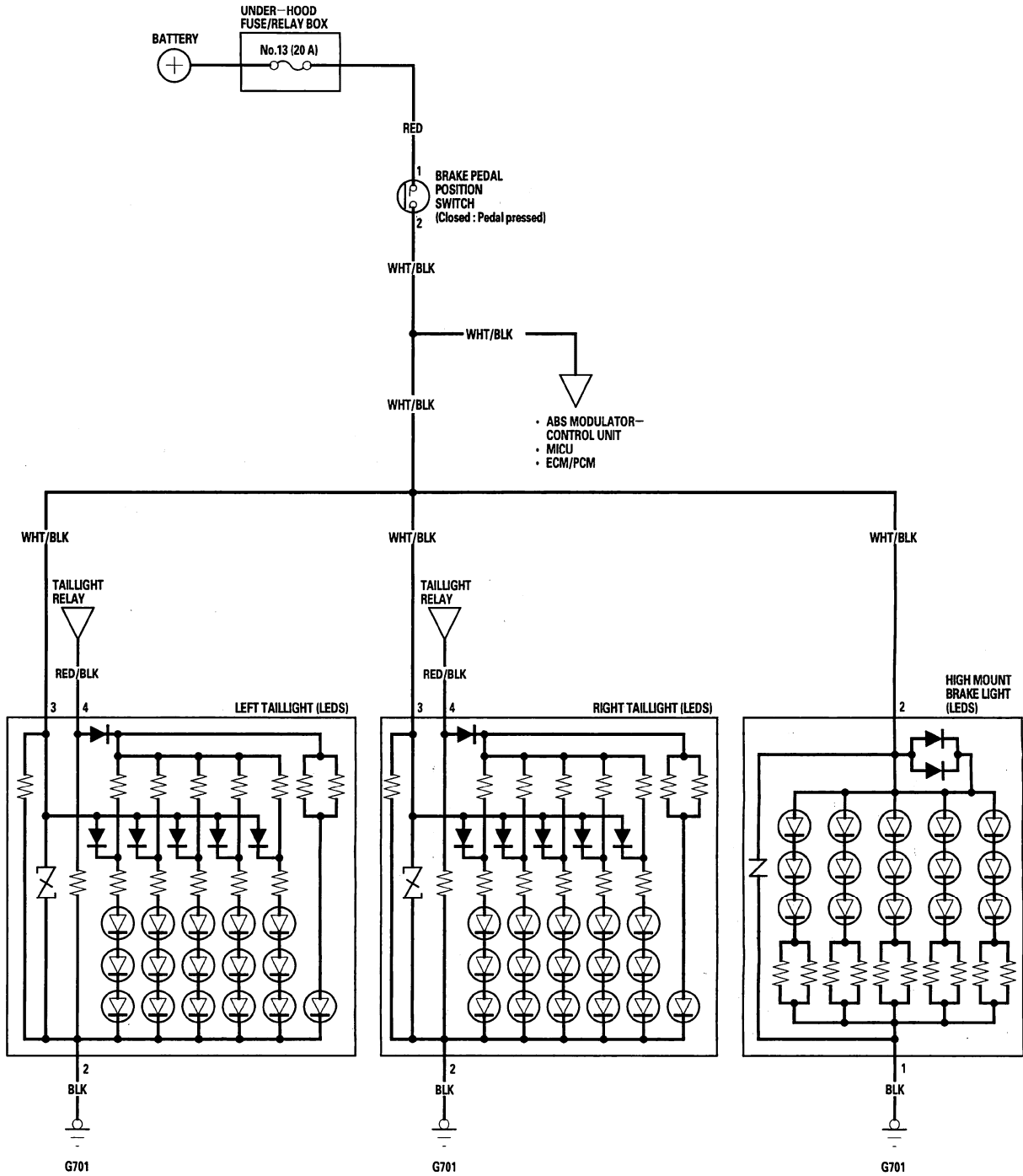




4-door ('06 model)



# Exterior Lights

## Circuit Diagram - Brake Lights (cont'd)

2-door ('06 model)

