

Starting System

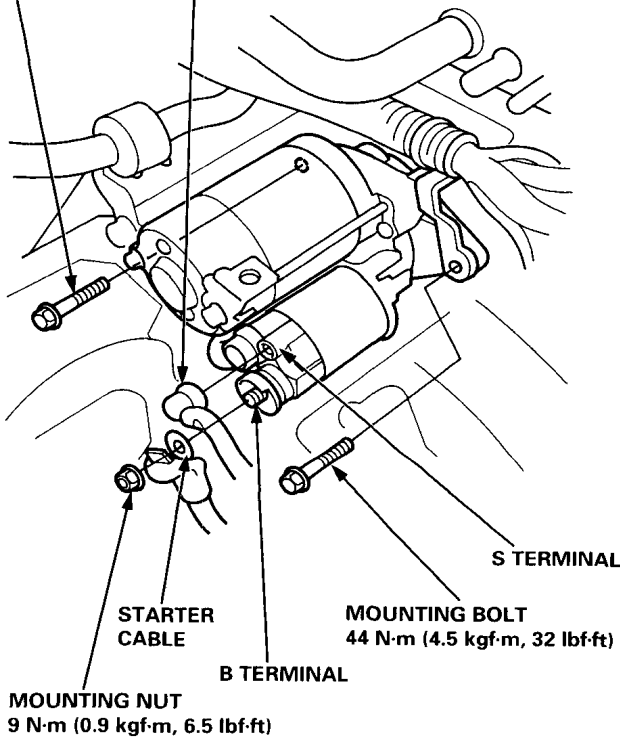
Starter Replacement

1. Disconnect the battery negative cable, then disconnect the positive cable.
2. Remove the engine wire harness and radiator lower hose from the bracket on the starter motor.
3. Disconnect the starter cable from the B terminal on the solenoid, then the BLK/WHT wire from the S terminal.

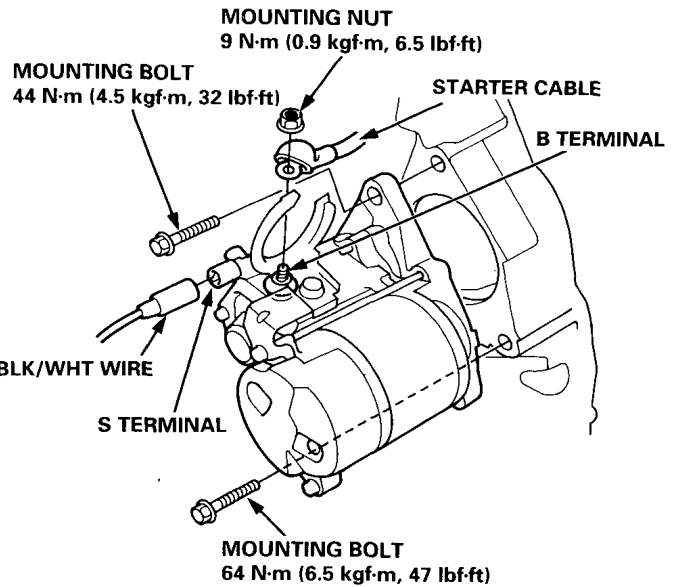
A/T (Mitsuba):

MOUNTING BOLT
44 N·m (4.5 kgf·m, 32 lbf·ft)

BLK/WHT WIRE



M/T (Nippondenso):



4. Remove the two bolts holding the starter, then remove the starter.
5. Install in the reverse order of removal.

NOTE: When installing the starter cable, make sure that the crimped side of the ring terminal is facing out.

