

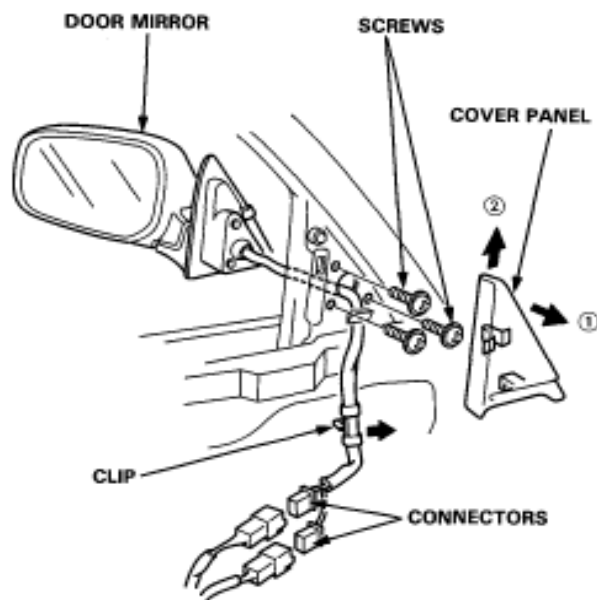


Power Door Mirror Replacement

1. Remove the door panel (see page 20-5).
2. Pry out the cover panel with a flat tip screwdriver, then remove it.
Disconnect the connector.

CAUTION: When prying with a flat tip screwdriver, wrap it with protective tape to prevent damage.

3. Remove the screws while holding the door mirror.

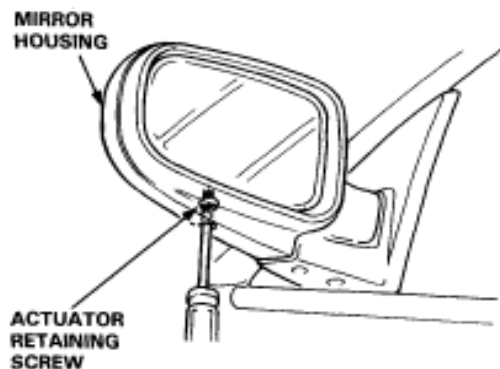


4. Installation is the reverse of the removal procedure.
5. Check for water leaks.

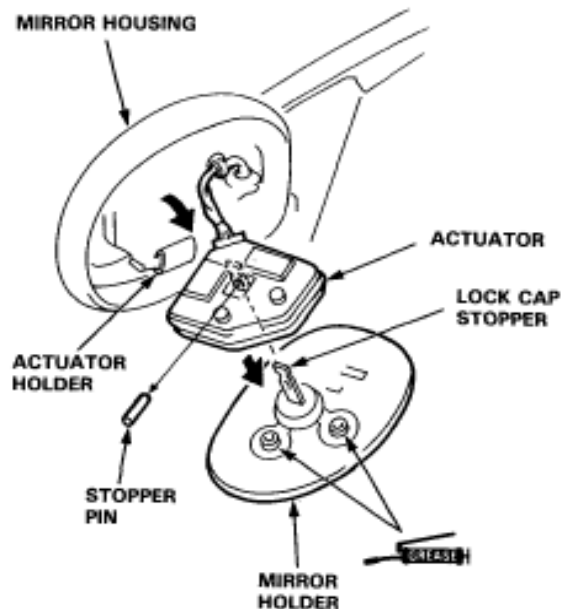
NOTE: Do not use high pressure water.

Mirror Holder Replacement (Except Heated Type)

1. Insert a screwdriver in the mirror housing through the service hole, and loosen the actuator retaining screw.



2. Pull the mirror holder out from the mirror housing.
3. Pull the lock cap stopper and remove the stopper pin, then separate the actuator and mirror holder.



4. Installation is the reverse of the removal procedure.

NOTE: Apply grease to the locations indicated by the arrows.