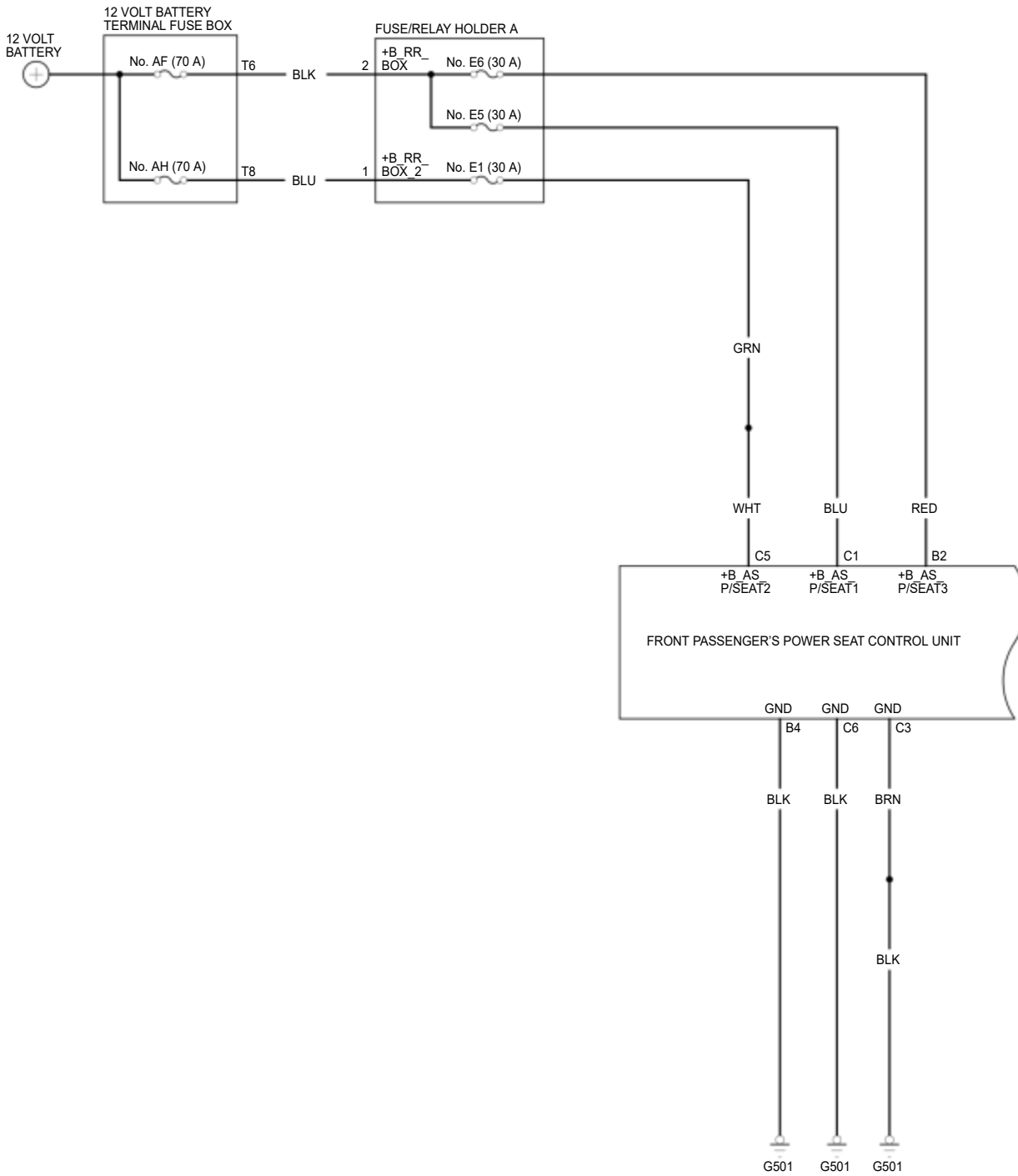
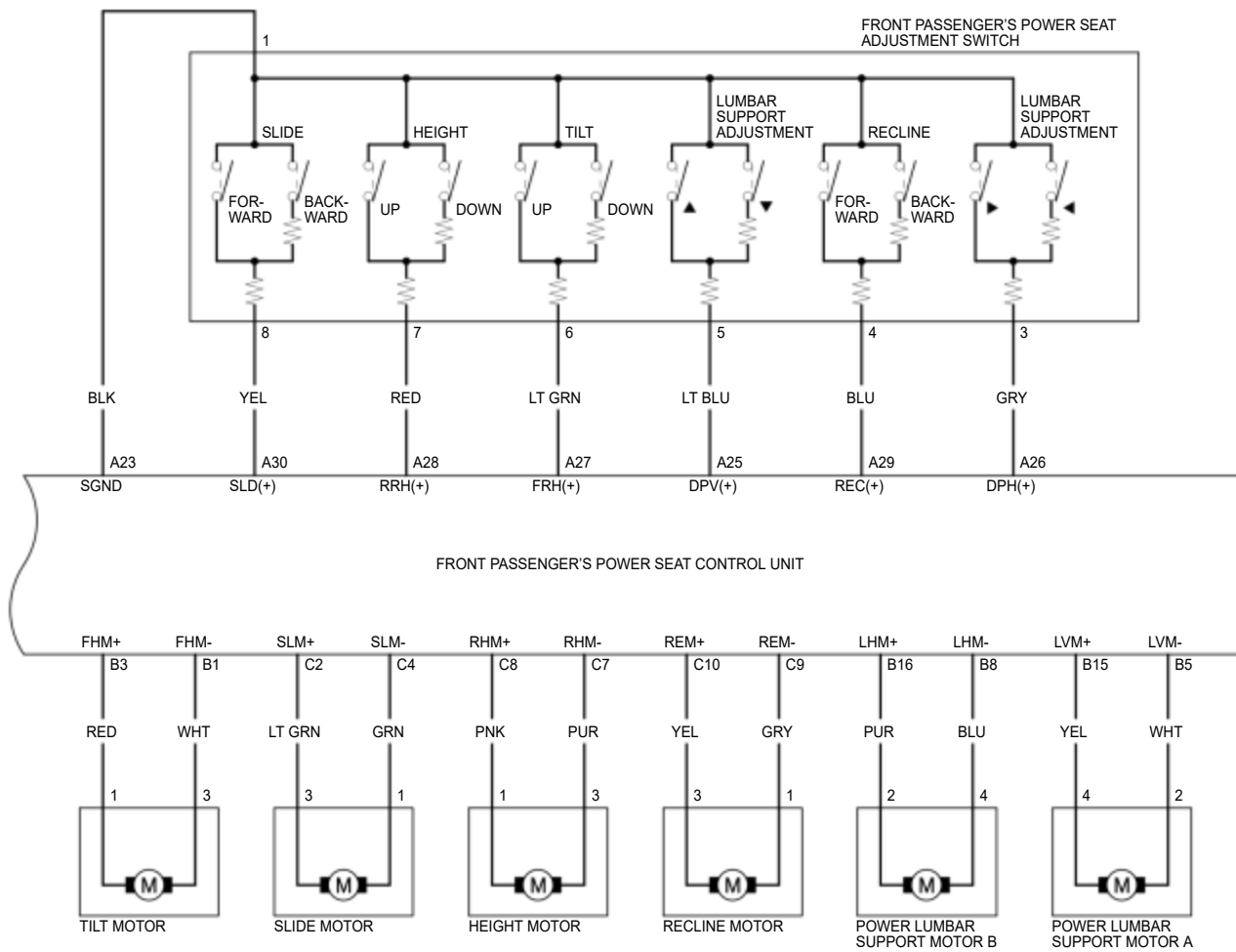


Power Seats Circuit Diagram

Front Passenger's Power Seat (12-way)





Front Passenger's Power Seat (16-way)

NOTE: For details of the CAN circuit, [refer to the Network Communications Circuit Diagram.](#)

