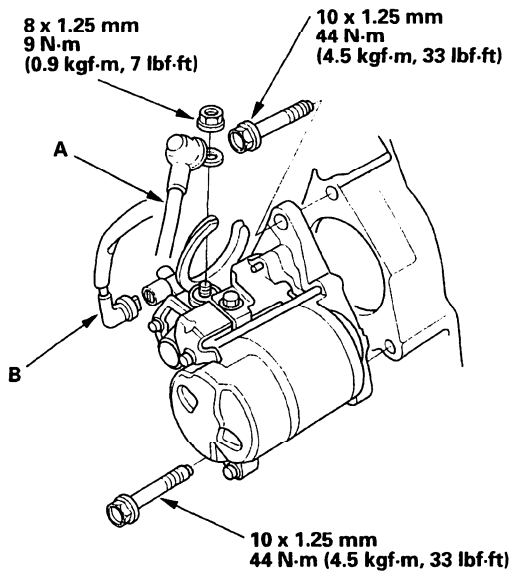




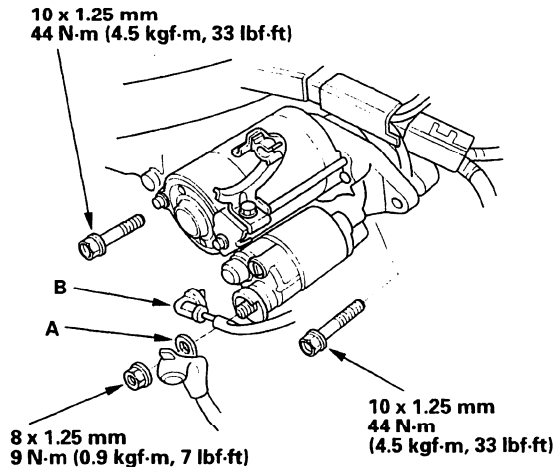
Starter Replacement

1. Make sure you have the anti-theft code for the radio, then write down the frequencies for the radio's preset buttons.
2. Disconnect the battery negative cable, then disconnect the positive cable.
3. Remove the engine wire harness and radiator lower hose from the bracket on the starter motor.
4. Disconnect the starter cable (A) from the B terminal on the solenoid, then disconnect the BLK/WHT wire (B) from the S terminal.

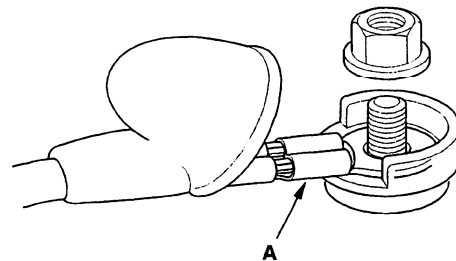
M/T:



A/T:



5. Remove the two bolts holding the starter, then remove the starter.
6. Install the stater in the reverse order of removal. Make sure the crimped side of the ring terminal (A) is facing out.



7. Connect the battery positive cable and negative cable to the battery.
8. Enter the anti-theft code for the radio, then enter the customer's radio station presets.
9. Retest starter performance.