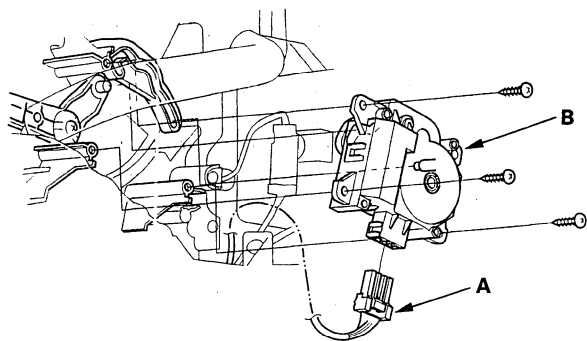


Heating/Air Conditioning

Mode Control Motor Replacement

4-door

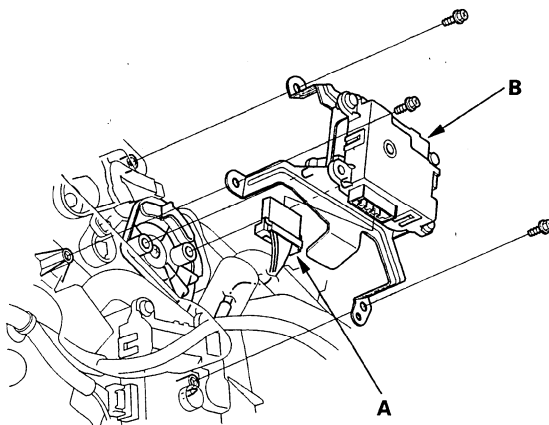
1. Open the glove box. Remove the damper from the glove box, then let the glove box hang down (see page 20-132).
2. Disconnect the 7P connector (A) from the mode control motor (B). Remove the self-tapping screws and the mode control motor from the heater unit.



3. Install the motor in the reverse order of removal. After installation, make sure the motor runs smoothly.

2-door

1. Open the glove box. Remove the damper from the glove box, then let the glove box hang down (see page 20-132).
2. Disconnect the 10P connector (A) from the mode control motor (B). Remove the self-tapping screws and the mode control motor from the heater unit.



3. Install the motor in the reverse order of removal. After installation, make sure the motor runs smoothly.