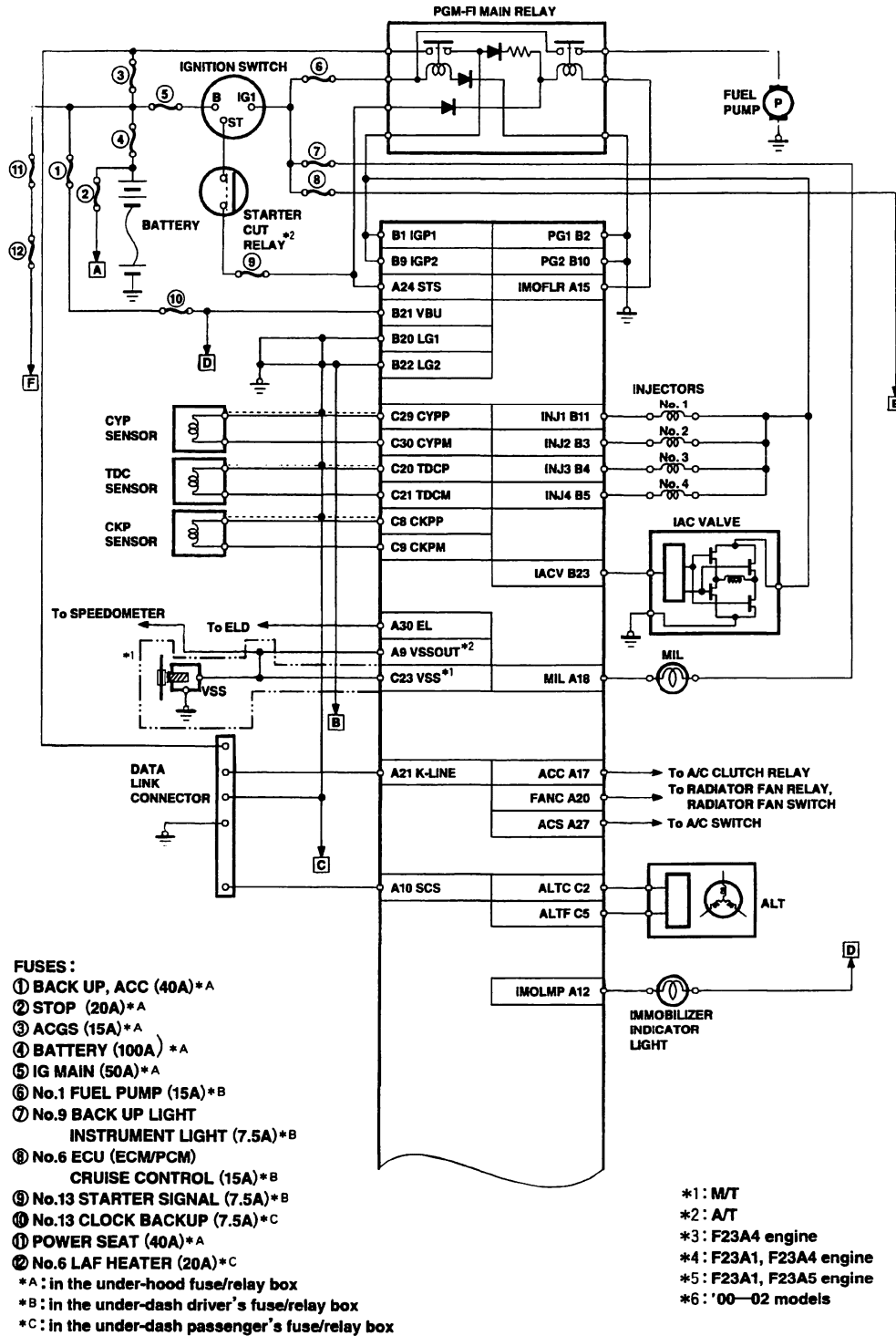




ECM/PCM Electrical Connections



(cont'd)