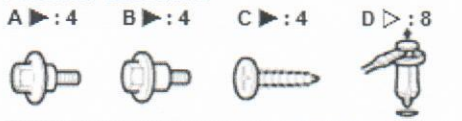


## Front Bumper Removal and Installation

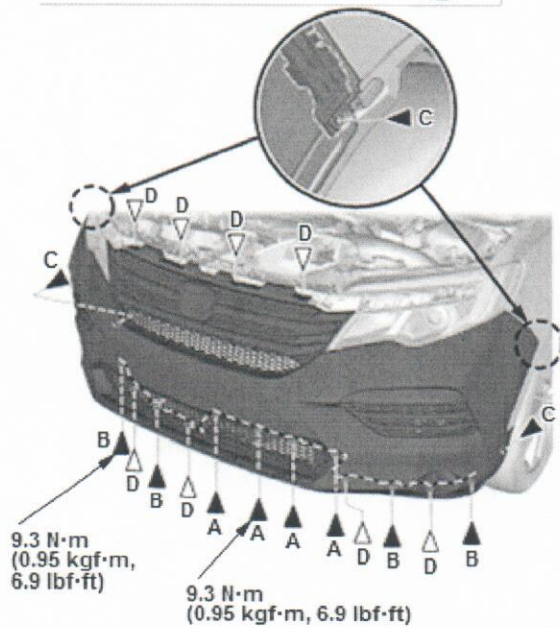
### Removal/Installation

1. Front Bulkhead Cover - Remove
2. Front Wheel Arch Protector - Remove
3. Front Grille Trim - Remove
4. Front Bumper - Remove

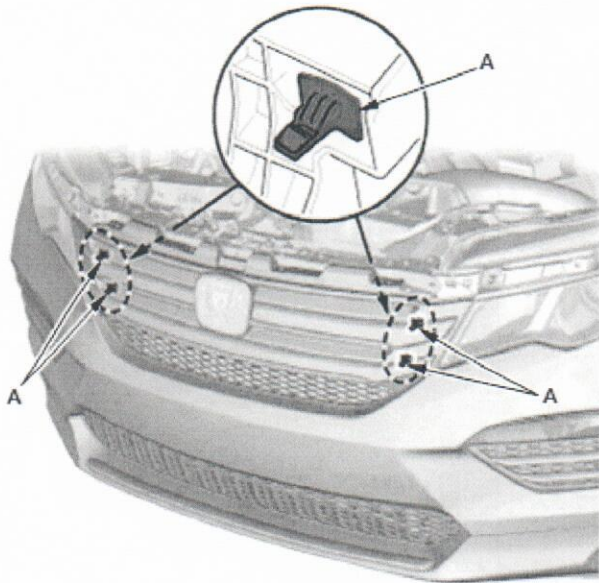
#### Fastener Locations



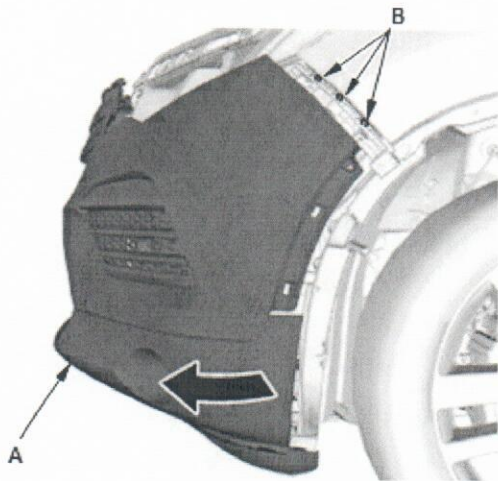
1. Remove the bolts (A, B), the screws (C), and the clips (D).



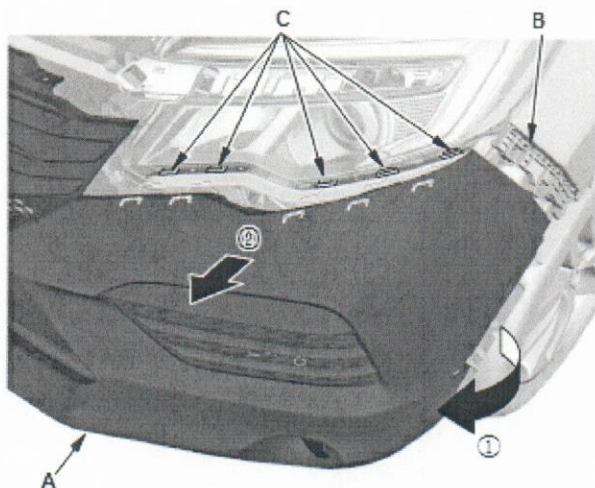
2. Release the hooks (A).

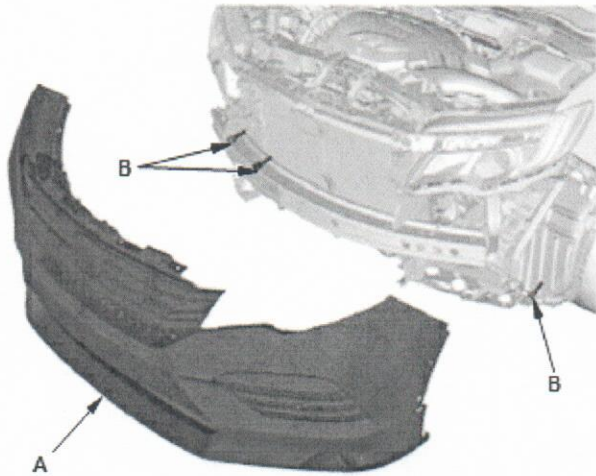


3. Pull out the front bumper (A) at the wheel arch area to release it from the hooks (B) on the side spacer.



4. With the help of an assistant, while pulling the front bumper (A) away from the side spacer (B), release the bumper from the hooks (C) on the upper beam.



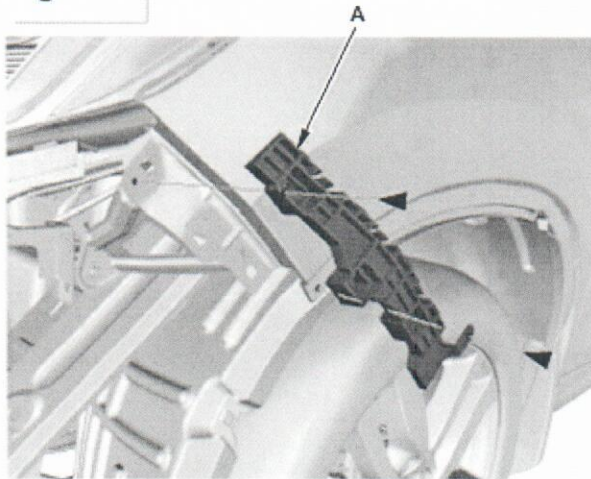


5. With the help of an assistant, remove the front bumper (A).
6. Disconnect the connectors (B). (for some models)

5. Front Bumper Spacer - Remove

Fastener Locations

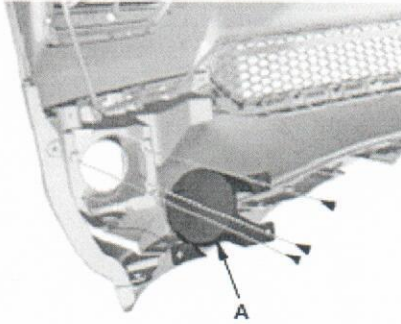
▶ : 2



1. If necessary, remove the screws, and then remove the front bumper spacer (A).

6. Front Bumper Cap - Remove (For Some Models)

**Fastener Locations**



1. If necessary, remove the screws, and then remove the bumper cap (A).

**7. All Removed Parts - Install**

1. Install the parts in the reverse order of removal.